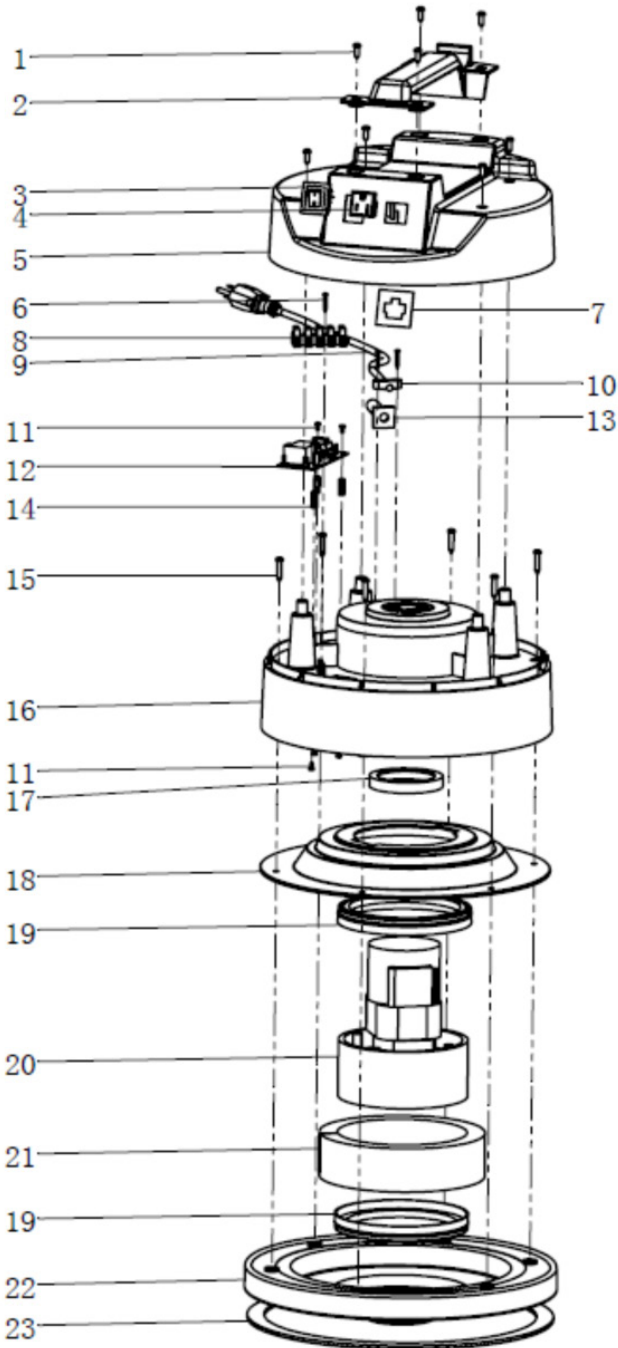


# STERLING

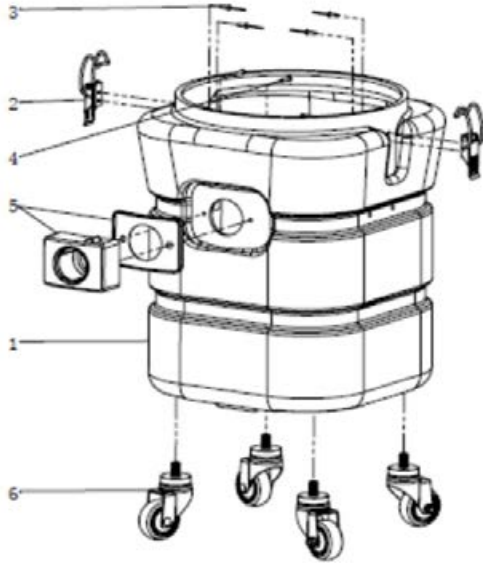
## Replacement Parts

### HEPAPro 13 Vacuum



## MOTOR HEAD ASSEMBLY

Ref.	Part No.	Description	Qty.
1	124-7104-14	Screw 4.8 * 15mm	8
2	124-7401-14-1	Top Handle 2	1
3	124-7102-14	Switch	1
4	124-7103-14-1	Outlet	1
5	124-7105-14-1	Dome	1
6	124-7107-14	Screw 2.9 * 19mm	3
7	124-7192-14	Board for Power Outlet	1
8	124-7106-14	Terminal Strip	1
9	124-7110-14	Cord Set 14/3-50'	1
10	124-7108-14	Cord Restraint	1
11	124-7193-14	Screw 3*6	6
12	124-7194-14	Circuit Board	1
13	124-7109-14	Rubber Strain Relief	1
14	124-7195-14	Insulation	3
15	124-7111-14-1	Screw 4.8*25	6
16	124-7112-04	Blower Chamber	1
17	124-7113-14	Motor Cooling Gasket	1
18	124-7114-14	Top Motor Adaptor	1
19	124-7115-14	Motor Housing Gasket	1
20	124-7116-10	Motor 120 Volt	1
21	124-7117-14	Foam	1
22	124-7118-14	Can Cap	1
23	124-7119-14	Gasket Can Cap	1



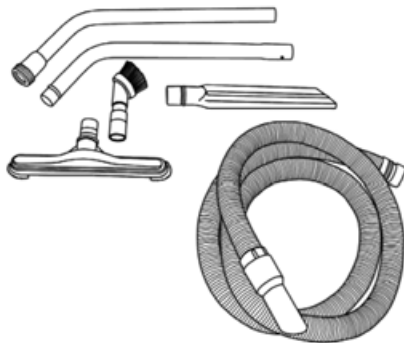
## TANK ASSEMBLY

Ref.	Part No.	Description	Qty.
1	124-7143-14-1	13 Gallon Tank	1
2	124-7144-14	Clamp	2
3	124-7191-14	Rivet	4
4	124-7146-14-1	Stainless Steel Screen	2
5	124-7147-14	Hose inlet w/Gasket	1
6	124-7164-14	Caster	4



## HEPA FILTER ASSEMBLY

Ref.	Part No.	Description	Qty.
1	127-3305-14	HEPA Filter Assembly	1
2	128-7502-14	Air Seal Gasket (only)	1
3	128-7504-14	Polyester Prefilter	1
4	128-7503-14	Spacer Sleeve	1
5	122-3222-14	Dacron Filter Bag	1



## TOOL KIT

Part No.	Description	Qty.
122-3020-14-1	5' Two-piece Wand	1
122-3010-14	10' Crushproof Hose w/ Ends	1
122-3030-14	2" Dusting Brush	1
122-3060-14	17" Crevice Tool	1
122-3040-14	Floor Brush Tool	1



7545 Irvine Center Dr., Ste. 200 • Irvine, CA 92618  
 Toll Free: 844 VACS R US or 844-822-7787 • Fax: 949-623-8305  
 SterlingNA.com