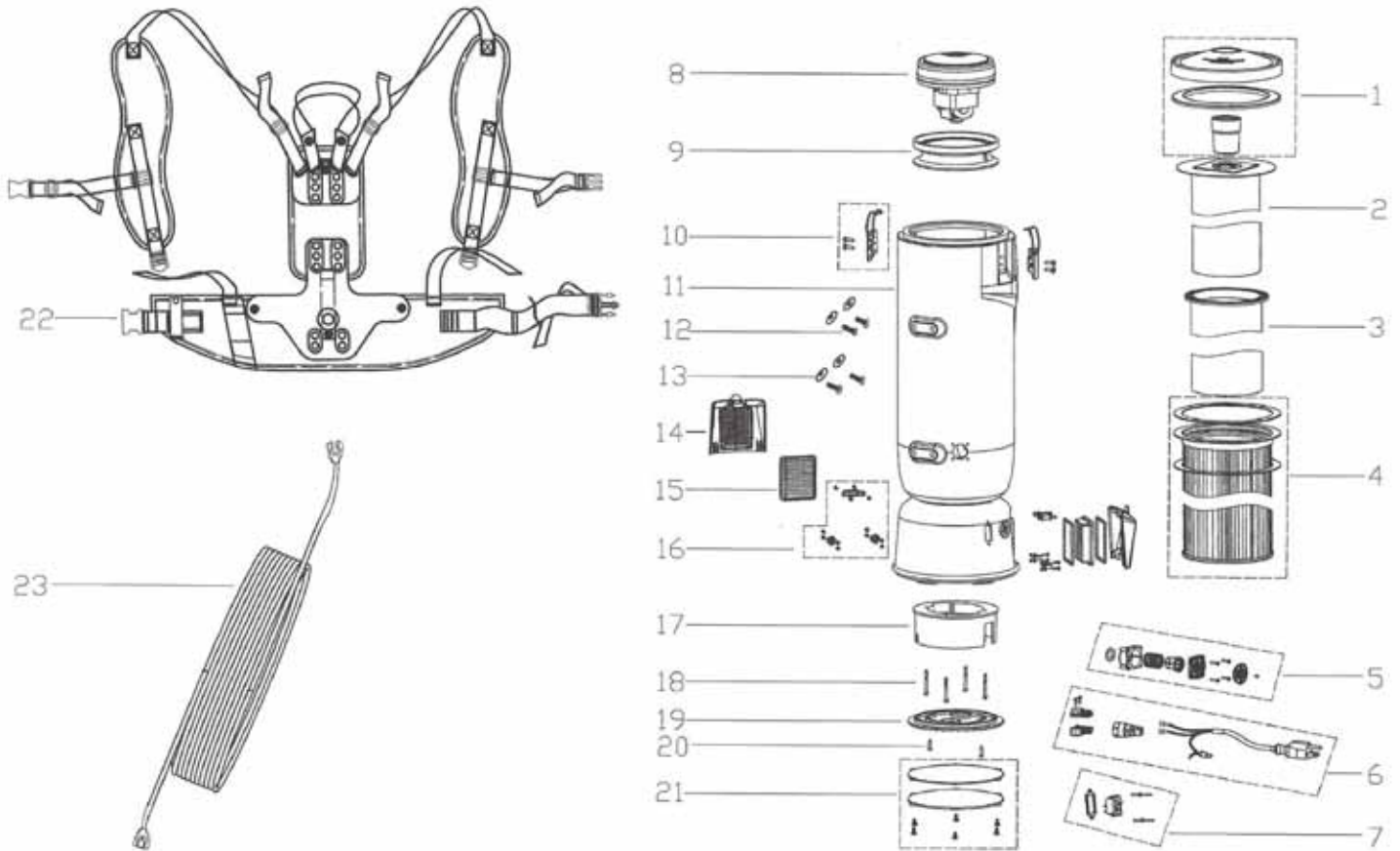
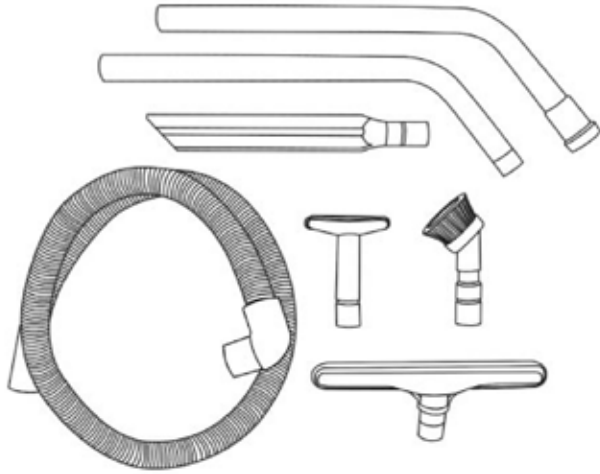


# STERLING

## Replacement Parts HEPAPro 10EB Backpack Vacuum



Ref.	Part No.	Description	Qty.	Ref.	Part No.	Description	Qty.
1	124-7332-14	Top Lid Assy	1	18	124-7346-14	Screw	4
2	124-3228-14	Bag	1	19	124-7425-14	Plastic Guard	1
3	122-3230-14	Cloth Bag SMS	1	20	124-7426-14	Self Tapping Screw	2
4	127-3321-14	HEPA Filter	1	21	124-7339-14	Sealing Board Assy	1
5	124-7340-14	Exhaust Valve Assy	1	22	124-3333-14	Harness	1
6	124-7341-14	Conn Cord Assy	1	23	124-3334-14	Extension Cord 50'	1
7	124-7310-14	Switch Assy	1				
8	124-7302-10	Motor	1				
9	124-7414-14	Gasket for Mounting Plate	1				
10	124-7432-14	Clamp	2				
11	124-7416-14	Tank 10 Qt.	1				
12	124-7433-14	Screw	4				
13	124-7434-14	Washer	4				
14	124-7343-14	HEPA Exhaust Cover	2				
15	124-7344-14	HEPA Exhaust	2				
16	124-7338-14	Fastener Assy	2				
17	124-7419-14	Motor Plate	1				



---

## TOOL KIT

---

Part No.	Description	Qty.
122-3025-14 -1	2-Piece Wand	1
122-3030-14	Dusting Brush	1
122-3060-14	Crevice Tool 17"	1
122-3070-14	Upholstery Tool	1
122-3044-14	Floor Tool	1
122-3012-14	Hose 1.50"	1



7545 Irvine Center Dr., Ste. 200 • Irvine, CA 92618  
Toll Free: 844 VACS R US or 844-822-7787 • Fax: 949-623-8305  
SterlingNA.com