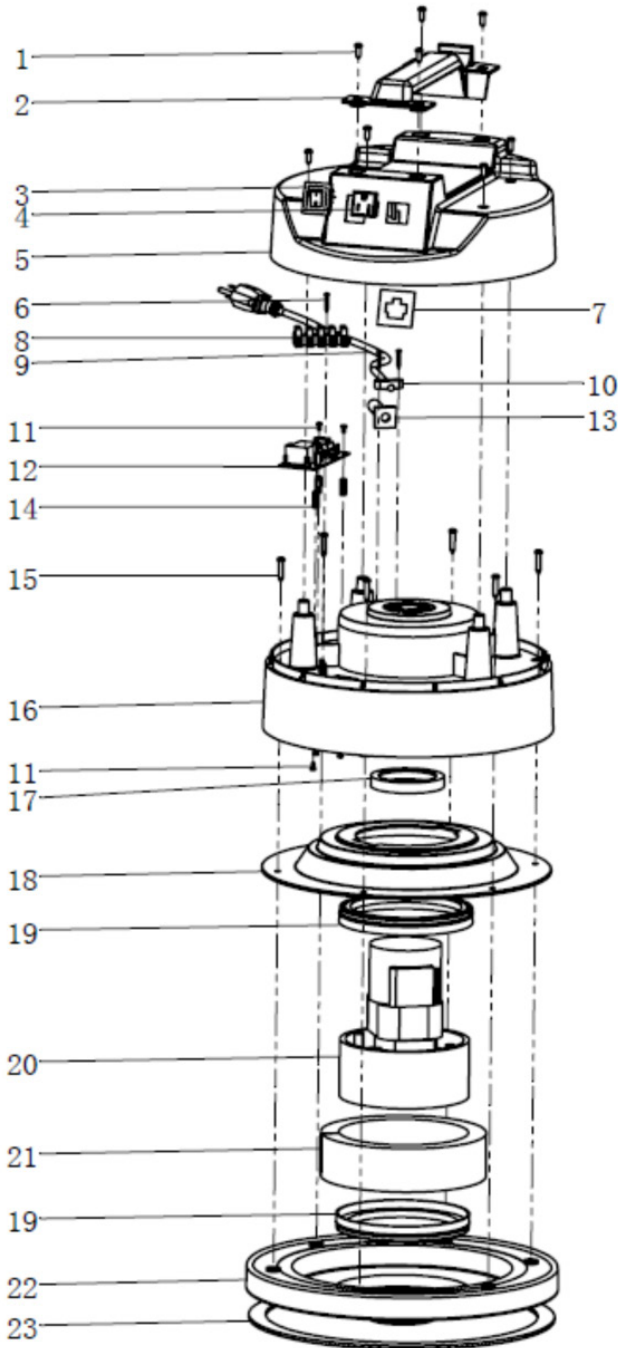


# STERLING

## Replacement Parts

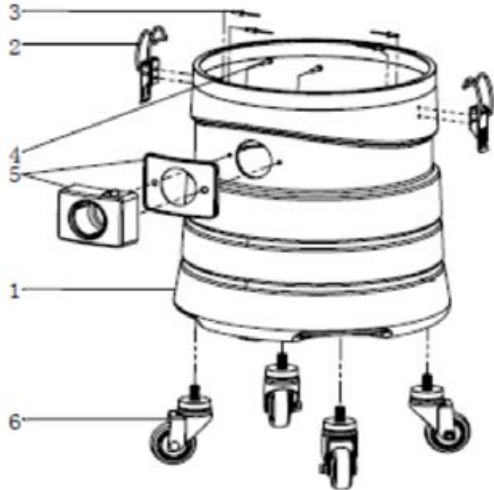
### HEPAPro 10 Vacuum



## MOTOR HEAD ASSEMBLY

| Ref. | Part No.      | Description            | Qty. |
|------|---------------|------------------------|------|
| 1    | 124-7104-14   | Screw 4.8 * 15mm       | 8    |
| 2    | 124-7401-14-1 | Top Handle 2           | 1    |
| 3    | 124-7102-14   | Switch                 | 1    |
| 4    | 124-7103-14-1 | Outlet                 | 1    |
| 5    | 124-7105-14-1 | Dome                   | 1    |
| 6    | 124-7107-14   | Screw 2.9 * 19mm       | 3    |
| 7    | 124-7192-14   | Board for Power Outlet | 1    |
| 8    | 124-7106-14   | Terminal Strip         | 1    |
| 9    | 124-7110-14   | Cord Set 14/3-50'      | 1    |
| 10   | 124-7108-14   | Cord Restraint         | 1    |
| 11   | 124-7193-14   | Screw 3*6              | 6    |
| 12   | 124-7194-14   | Circuit Board          | 1    |
| 13   | 124-7109-14   | Rubber Strain Relief   | 1    |
| 14   | 124-7195-14   | Insulation             | 3    |
| 15   | 124-7111-14-1 | Screw 4.8*25           | 6    |
| 16   | 124-7112-04   | Blower Chamber         | 1    |
| 17   | 124-7113-14   | Motor Cooling Gasket   | 1    |
| 18   | 124-7114-14   | Top Motor Adaptor      | 1    |
| 19   | 124-7115-14   | Motor Housing Gasket   | 1    |
| 20   | 127-7116-10   | Motor 120 Volt         | 1    |
| 21   | 124-7117-14   | Foam                   | 1    |
| 22   | 124-7118-14   | Can Cap                | 1    |
| 23   | 124-7119-14   | Gasket Can Cap         | 1    |

## TANK ASSEMBLY



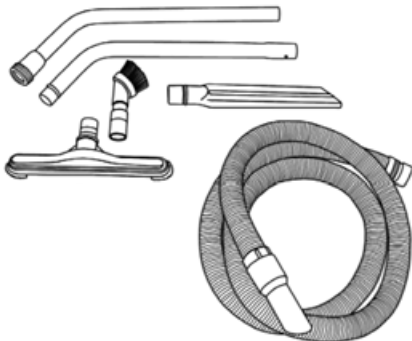
| Ref. | Part No.      | Description         | Qty. |
|------|---------------|---------------------|------|
| 1    | 124-7142-14-1 | 10 Gallon Tank      | 1    |
| 2    | 124-7144-14   | Clamp               | 2    |
| 3    | 124-7191-14   | Rivet               | 4    |
| 4    | 124-7146-14-1 | Screw               | 2    |
| 5    | 124-7147-14   | Hose Inlet w/Gasket | 1    |
| 6    | 124-7164-14   | Caster              | 4    |

## HEPA FILTER ASSEMBLY



| Ref. | Part No.    | Description            | Qty. |
|------|-------------|------------------------|------|
| 1    | 127-3305-14 | HEPA Filter Assembly   | 1    |
| 2    | 128-7502-14 | Air Seal Gasket (only) | 1    |
| 3    | 128-7504-14 | Polyester Prefilter    | 1    |
| 4    | 128-7503-14 | Spacer Sleeve          | 1    |
| 5    | 122-3222-14 | Dacron Filter Bag      | 1    |

## TOOL KIT



| Part No.      | Description                 | Qty. |
|---------------|-----------------------------|------|
| 122-3020-14-1 | 5' Two-piece Wand           | 1    |
| 122-3010-14   | 10' Crushproof Hose w/ Ends | 1    |
| 122-3030-14   | 2" Dusting Brush            | 1    |
| 122-3060-14   | 17" Crevice Tool            | 1    |
| 122-3040-14   | Floor Brush Tool            | 1    |



7545 Irvine Center Dr., Ste. 200 • Irvine, CA 92618  
Toll Free: 844 VACS R US or 844-822-7787 • Fax: 949-623-8305  
SterlingNA.com