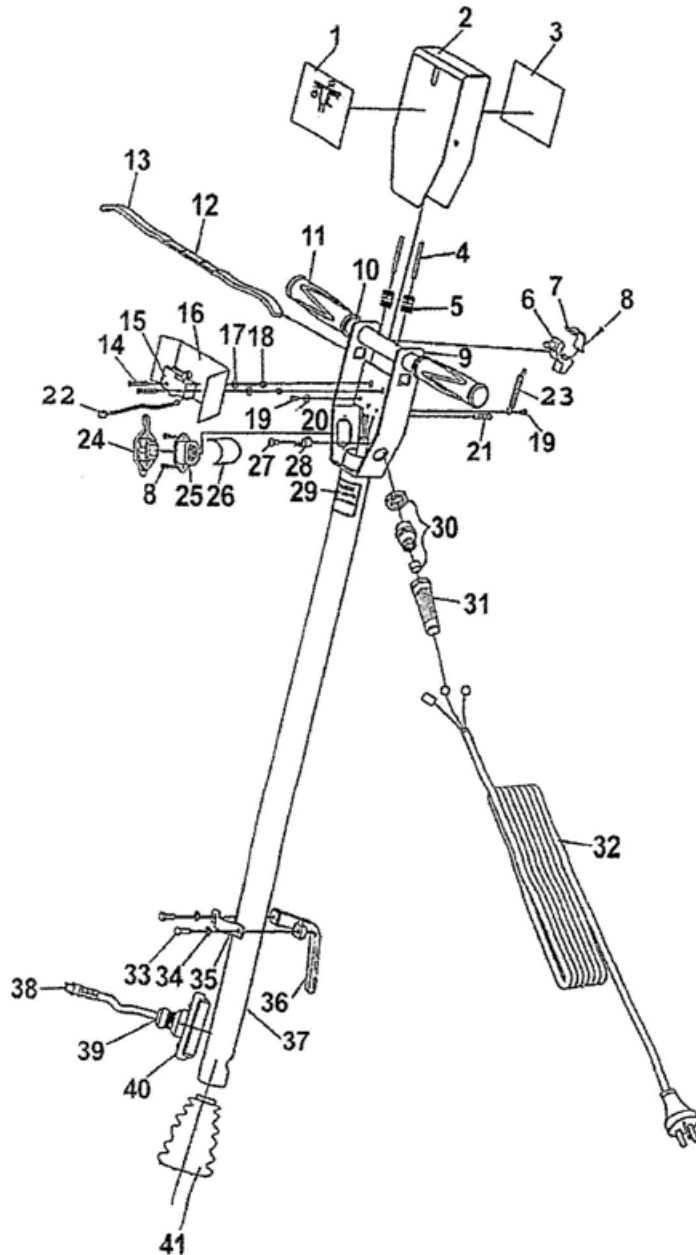


STERLING

Replacement Parts

Models S17F & S20F Floor Machines

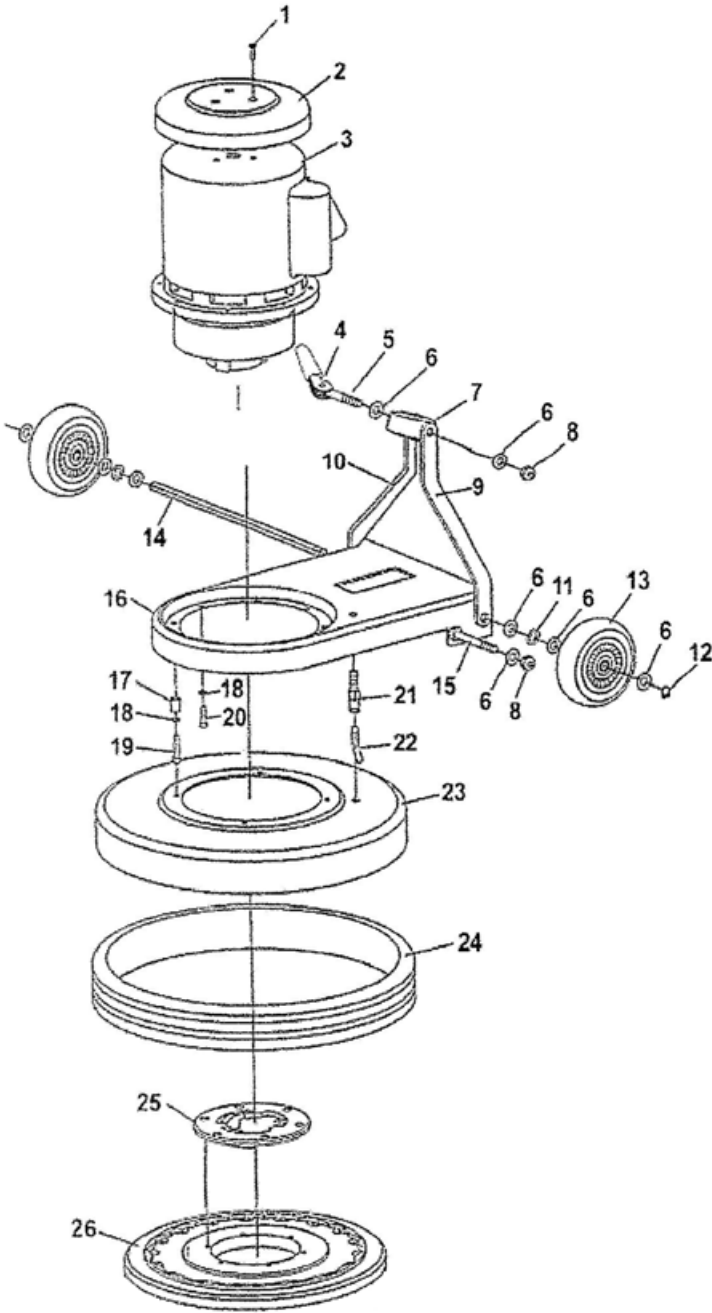
HANDLE ASSEMBLY



Ref.	Part No.	Description	Qty.
1	114-6011-14	Switch Box Decal	1
2	114-6012-14	Cover Switch Box	1
3	114-6013-14	Instructional Decal	1
4	114-6014-14	Pin	1
5	114-6015-14	Spring	1
6	114-6016-14	Safety Latch	1
7	114-6017-14	Safety Latch Support	1
8	114-6018-14	Screw	1
9	114-6019-14	Handle	1
10	114-6020-14	Handle Tube	1
11	114-6021-14	Handle Grip	2
12	114-6022-14	Trigger	1
13	114-6023-14	Insulator	1
14	114-6024-14	Screw	2
15	114-6025-14	Micro Switch	1
16	114-6026-14	Insulator	1
17	114-6027-14	Washer	1
18	114-6028-14	Hex Nut	1
19	114-6029-14	Round Screw	2
20	114-6030-14	Washer	1
21	114-6031-14	Round Screw	1
22	114-6032-14	Wire	1
23	114-6033-14	Spring	1
24	114-6034-14	Socket Cover	1
25	114-6035-14	Socket	1
26	114-6036-14	Insulator	1
27	114-6037-14	Screw	1
28	114-6038-14	Gasket	1
29	114-6039-14	Caution Decal	1
30	114-6040-14	Cord Grommet	1
31	114-6041-14	Pigtail	1
32	114-6042-14	Cord Set 40'	1
33	114-6043-14	Hex Cap Screws	1
34	114-6044-14	Spring Gasket	1
35	114-6045-14	Cord Hook Brace	1
36	114-6046-14	Cord Hook	1
37	114-6047-14	Pipe Handle	1
38	114-6048-14	Cord Set Short	1
39	114-6049-14	Cord Connector	1
40	114-6050-14	Cord Support	1
41	114-6051-14	Handle Boot	1

CHASSIS ASSEMBLY

Ref.	Part No.	Description	Qty.
1	114-6061-14	Screw	1
2	114-6062-14	Canopy Spacer	1
3	114-6063-10	Motor 115V	1
4	114-6064-14	Locking Cam Grip	1
5	114-6065-14	Locking Cam	1
6	114-6066-14	Washer	9
7	114-6067-14	Handle Clamp	1
8	114-6068-14	Nut	1
9	114-6069-14	Handle Support (left)	1
10	114-6070-14	Handle Support (right)	1
11	114-6071-14	Washer	2
12	114-6072-14	Axle Nut	2
13	114-6073-14	Wheel	2
14	114-6074-14	Wheel Axle	1
15	114-6075-14	Bolt	1
16a	114-6076-14	17" Frame	1
16b	114-6077-14	20" Frame	1
17	114-6078-14	Frame Interlock	1
18	114-6079-14	Spring Gasket	1
19	114-6080-14	Socket Head Screws	1
20	114-6081-14	Bolt	1
21	114-6082-14	Hose Connector	1
22	114-6083-14	Hose	1
23a	114-6084-14	17" Chassis	1
23b	114-6085-14	20" Chassis	1
24a	114-6086-14	17" Bumper	1
24b	114-6087-14	20" Bumper	1
25	114-6088-14	Clutch Plate	1
26a	112-2008-14	17" Drive Pad	1
26b	112-2021-14	20" Drive Pad	1



7545 Irvine Center Dr., Ste. 200 • Irvine, CA 92618
Toll Free: 844 VACS R US or 844-822-7787 • Fax: 949-623-8305
SterlingNA.com