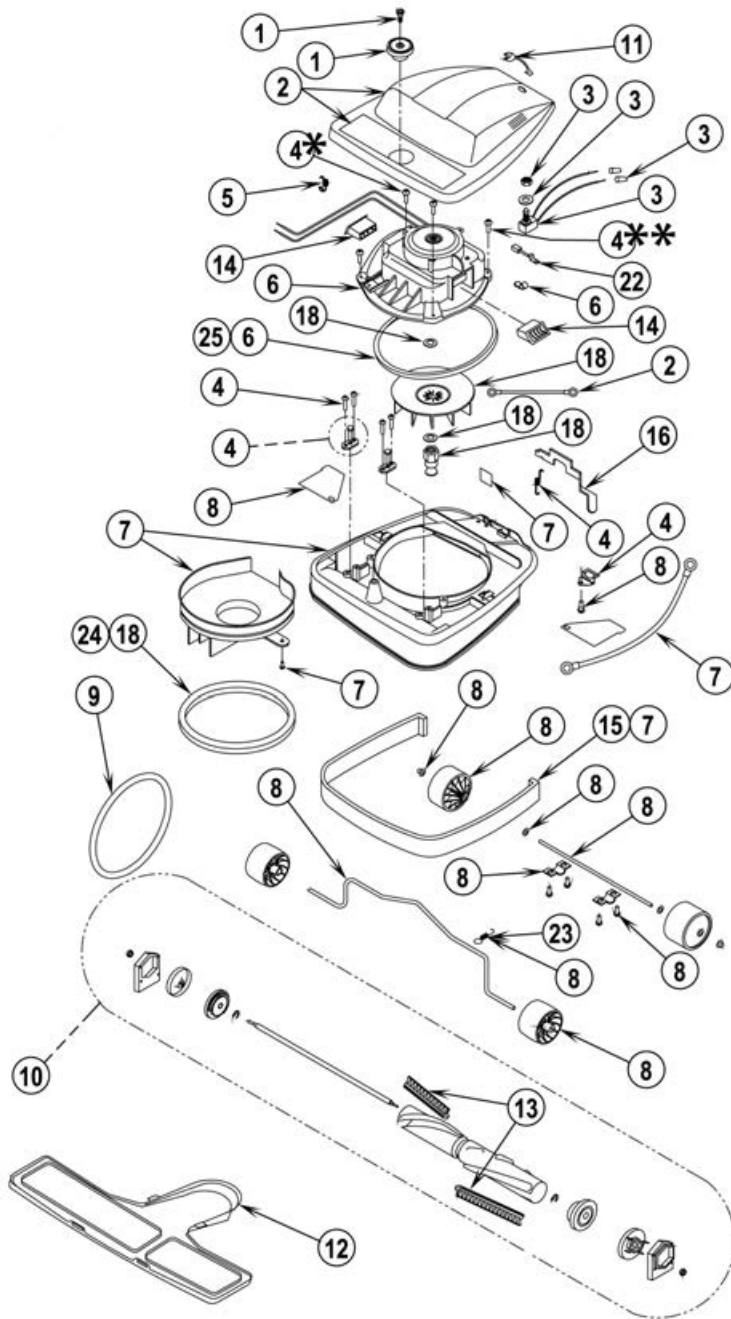


STERLING

Replacement Parts Model DependVac 12 Upright Vacuum



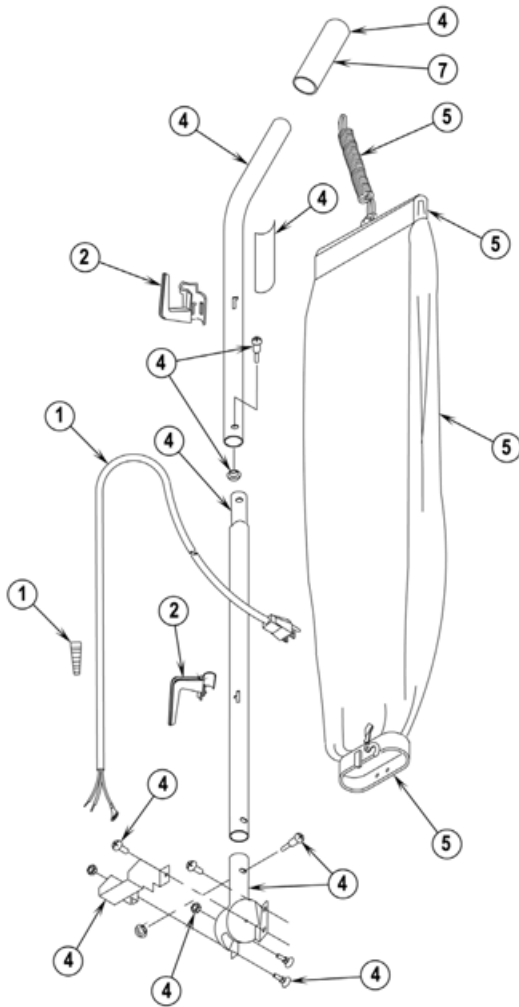
BASE ASSEMBLY

Ref.	Part No.	Description	Qty.
1	139-7401-14	Brush height Knob Assbly	1
2	139-7402-14	Hood Assembly-Grey	1
3	139-7403-14	Switch Assembly	1
4	139-7404-14	Hardware Kit Base	1
5	139-7405-14	Spring Ext. .304d .9301 .055wd	2
6	139-7406-10	Motor & Seal Assembly	1
7	139-7407-14	Base Assembly - Grey	1
8	139-7408-14	Wheel Assembly	1
9	139-7409-14	Superbelt	1
10	139-7410-14	Disturbulator, Assembly	1
11	139-7411-14	Power Cord Assembly	1
12	139-7412-14	Asm, Plate-Bottom	1
13	139-7413-14	Brush Strip Kit	1
14	139-7414-14	Air Duct Assembly	1
15	139-7415-14	Guard, Furn-Clear Blue, 31.00l	1
16	139-7416-14	Pedal, Foot-Uprt White	1
18	139-7417-14	Pulley and Fan Kit	1
22	139-7418-14	Carbon Brush for Motor	2
23	139-7419-14	Spring, Ext. .275d 1.50l .024wd	1
24	139-7420-14	Gasket Motor Seal	1
25	139-7421-14	Gasket Motor Seal	1

* - Rear R.H. Vac motor mounting screw should be .625" long

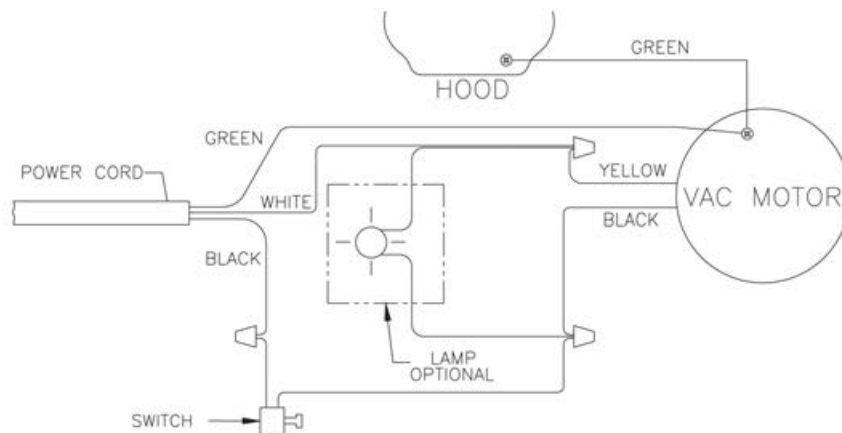
** - Remaining 3 Vac motor mounting screws should be 7.5" long

HANDLE ASSEMBLY



Ref.	Part No.	Description	Qty.
1	139-7411-14	Power Cord Assembly	1
2	139-7431-14	Hook Assembly	1
4	139-7432-14	Handle Assembly	1
5	139-7433-14	Bag Assembly	1
7	139-7434-14	Grip, Handle - Dark Gray	1

WIRING DIAGRAM



7545 Irvine Center Dr., Ste. 200 • Irvine, CA 92618
Toll Free: 844 VACS R US or 844-822-7787 • Fax: 949-623-8305
SterlingNA.com