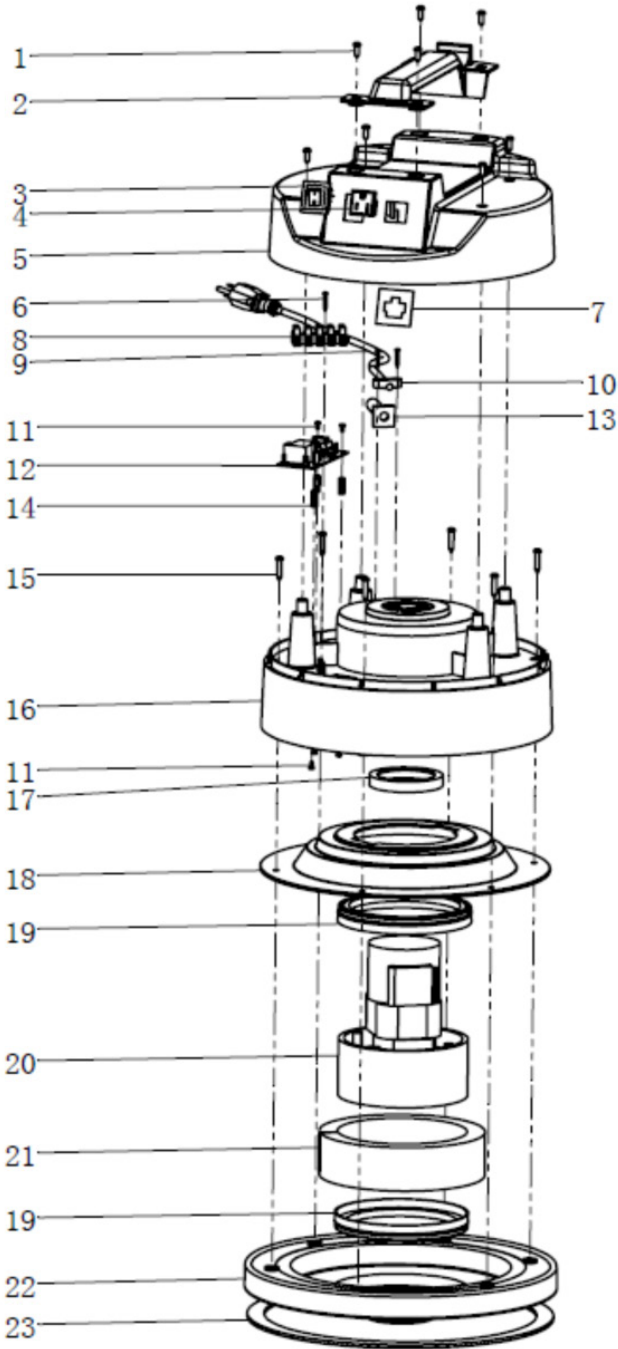


STERLING

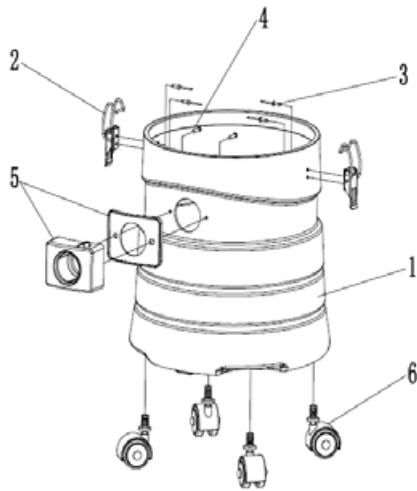
Replacement Parts

Model 4510W Wet/Dry Vacuum



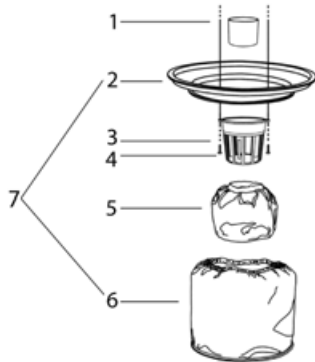
MOTOR HEAD ASSEMBLY

Ref.	Part No.	Description	Qty.
1	124-7104-14	Screw 4.8 * 15mm	8
2	124-7401-14-1	Top Handle 2	1
3	124-7102-14	Switch	1
4	124-7103-14-1	Outlet	1
5	124-7105-14-1	Dome	1
6	124-7107-14	Screw 2.9 * 19mm	3
7	124-7192-14	Board for Power Outlet	1
8	124-7106-14	Terminal Strip	1
9	124-7110-14	Cord Set 14/3-50'	1
10	124-7108-14	Cord Restraint	1
11	124-7193-14	Screw 3*6	6
12	124-7194-14	Circuit Board	1
13	124-7109-14	Rubber Strain Relief	1
14	124-7195-14	Insulation	3
15	124-7111-14-1	Screw 4.8*25	6
16	124-7112-04	Blower Chamber	1
17	124-7113-14	Motor Cooling Gasket	1
18	124-7114-14	Top Motor Adaptor	1
19	124-7115-14	Motor Housing Gasket	1
20	124-7116-10	Motor 120 Volt	1
21	124-7117-14	Foam	1
22	124-7118-14	Can Cap	1
23	124-7119-14	Gasket Can Cap	1



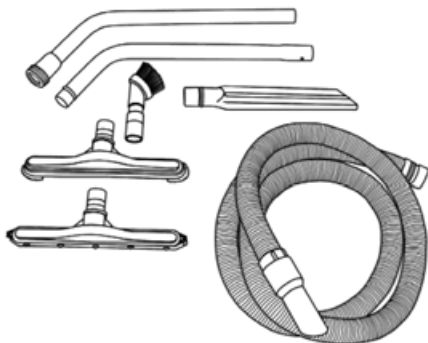
TANK ASSEMBLY

Ref.	Part No.	Description	Qty.
1	124-7142-14-1	10 Gallon Tank	1
2	124-7144-14-1	Clamp	2
3	124-7167-14	Rivet	4
4	124-7146-14	Screw 4.8 x 30mm	2
5	124-7147-14	Hose Inlet w/Gasket	1
6	124-7164-14-1	Caster Plastic	4



FILTER ASSEMBLY

Ref.	Part No.	Description	Qty.
1	124-7180-14	Float	1
2	124-7181-14	Filter Ring	1
3	124-7182-14	Screw 4.8 x 15mm	2
4	124-7183-14	Float Cage	1
5	124-7184-14	Mesh Secondary Filter	1
6	124-7185-14	Cloth Filter	1
7	124-7190-14	Cloth Filter with Ring	1



TOOL KIT

Part No.	Description	Qty.
122-3020-14	5' Two-piece Wand	1
122-3010-14	10' Crushproof Hose w/ Ends	1
122-3030-14	2" Dusting Brush	1
122-3060-14	17" Crevice Tool	1
122-3040-14	Floor Brush Tool	1
122-3050-14	Squeegee Tool	1



7545 Irvine Center Dr., Ste. 200 • Irvine, CA 92618
 Toll Free: 844 VACS R US or 844-822-7787 • Fax: 949-623-8305
 SterlingNA.com