

STERLING

HEPAPro 20S Vacuum



Thank you for your recent Sterling purchase. You have bought a high quality, long-life commercial vacuum cleaner. For your safety and continued satisfaction with this product, please read this owner's manual carefully before using. For your information, all parts used in the manufacturing of this vacuum cleaner meet or exceed rigid quality control standards. We stand behind all our products and are available to assist you with a knowledgeable and dedicated staff. If we can help you in any way, please call Customer Service at 844-822-7787.

We also recommend that you visit our website www.sterlingna.com for the fastest most efficient way to complete your product registration and see other Sterling products and accessories to meet your cleaning needs.

To Assemble: Insert casters into sockets on bottom of canister. Push casters until seated. Attach hose to coupling on front of can.

To Connect Hose: Insert the hose end into the tank inlet until it clicks. To remove the hose, press the button on top of the hose inlet, and remove hose.

To Operate:

- (1) For Dry Pickup Only:
Install paper bag on inlet inside of tank. Insert the cloth filter assembly in the top of the tank. Install motor head. The cloth filter located inside the can provides highly efficient separation of dust and dirt particles from the incoming air stream.
- (2) For Wet Pickup Only:
IMPORTANT: The wet shut off adapter must be installed prior to picking up liquids. To install, remove motor head, HEPA filter and disposable paper filter bag. Insert the wet shut off adapter into the tank, making sure that the top lip of the adapter is firmly seated on the top of the tank. Insert the HEPA filter inside the adapter, checking again that the lip of the HEPA filter is firmly seated to the lip of the adapter. Replace motor head and close locking clamps.

To Maintain: This vacuum cleaner contains no user serviceable parts. If repair is needed, please take the vacuum cleaner to an authorized Sterling factory service center.

CAUTION Always operate vacuum with the HEPA filter properly installed and in good condition.

CAUTION Do not use this vacuum to pick up hazardous materials without HEPA filter being installed.

CAUTION Never lubricate the vacuum cleaner motor. The motor bearings are permanently sealed. This vacuum is intended for indoor or outdoor use and for wet pickup, however, it is not intended to be exposed to rain.

HEPA FILTER

The primary filter is the enclosed paper bag. This sealed filter is for single-use only and should always be installed for dry pick-up. When the filter bag is approximately half full, the efficiency of the vacuum is reduced. Therefore, to **MAXIMIZE** air flow and cleaning productivity, the paper filter bag should be replaced between $\frac{1}{4}$ and $\frac{1}{2}$ full. See recommended procedure below for safely replacing the paper filter bag. Once removed, place the filled paper filter bag in a specially marked plastic bag and dispose according to your State regulations.

The secondary filter is a Dacron filter bag. It is attached to the square HEPA media housing via an elastic band. If replacing the paper filter bag fails to improve vacuum performance, replacing the Dacron filter bag is recommended. When replacing the Dacron filter bag, visibly inspect the polyester spacer sleeve and pre-filter. If there is any evidence of tears, excessive discoloring or clogging, replace the polyester spacer sleeve and pre-filter at the same time as the Dacron filter bag. If the material appears white and clean, it can be re-used with a new Dacron filter bag.



If replacing the paper filter bag, Dacron filter bag and polyester spacer sleeve fail to significantly improve vacuum performance, the HEPA filter is clogged and must be replaced. Dispose of the clogged HEPA filter in the same manner as the enclosed paper bag.

Recommended procedures for safely removing and replacing the disposable paper filter bag:

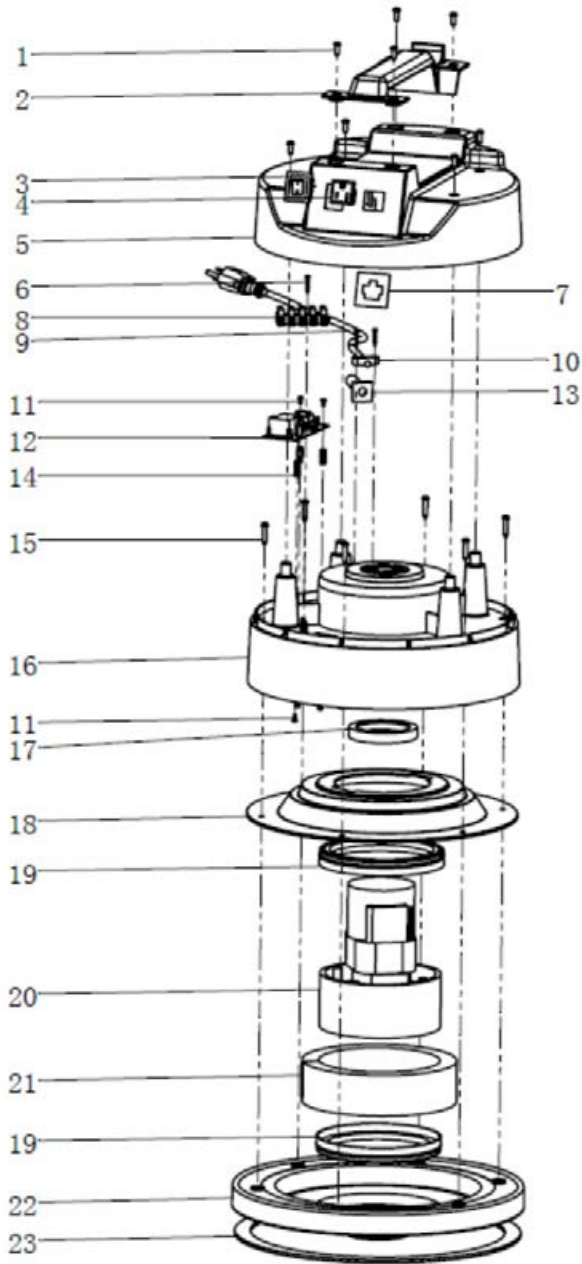
1. Remove vacuum head and HEPA filter.
2. Tape a 6 mil poly bag over the entire canister so that the canister is completely enclosed.
3. Using the poly bag as a glove, disengage the paper bag from the vacuum inlet stem inside the canister.
4. Invert the canister so that the paper bag falls into the poly bag. Seal the poly bag and dispose as prescribed by State regulations.
5. Attach a new paper bag to the vacuum inlet securely.
6. Replace the HEPA filter and motor head.
7. Thoroughly vacuum the work area to recover any harmful dust left after the above steps.

LIMITED WARRANTY

The vacuum cleaner is warranted for 1 year from the date of purchase. Parts not covered under warranty are power cords, filters, motor brushes and squeegee blades. The warranty covers only failure due to defective parts or workmanship and will be invalidated by improper application and abuse.

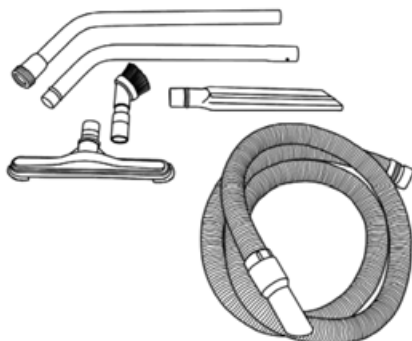
Under no circumstances should you return a failed unit to the factory. If you experience any problems with your vacuum during the warranty period, contact the Customer Service Department.

REPLACEMENT PARTS



MOTOR HEAD ASSEMBLY

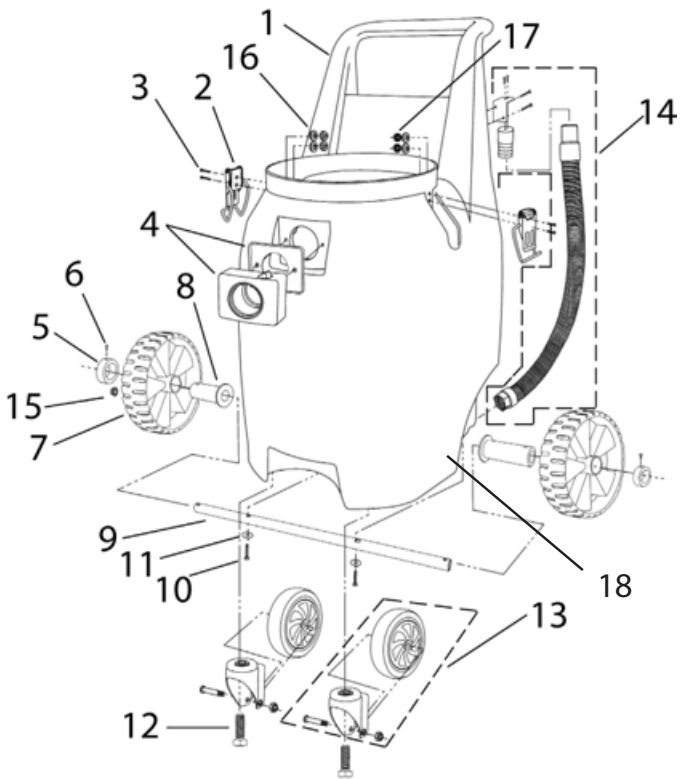
Ref.	Part No.	Description	Qty.
1	124-7104-14	Screw 4.8 * 15mm	8
2	124-7101-14-1	Top Handle	1
3	124-7102-14	Switch	1
4	124-7103-14-1	Outlet	1
5	124-7105-14-1	Dome	1
6	124-7107-14	Screw 2.9 * 19mm	3
7	124-7192-14	Board for Power Outlet	1
8	124-7106-14	Terminal Strip	1
9	124-7110-14	Cord Set 14/3-50'	1
10	124-7108-14	Cord Restraint	1
11	124-7193-14	Screw 3*6	6
12	124-7194-14	Circuit Board	1
13	124-7109-14	Rubber Strain Relief	1
14	124-7195-14	Insulation	3
15	124-7111-14-1	Screw 4.8*25	6
16	124-7112-04	Blower Chamber	1
17	124-7113-14	Motor Cooling Gasket	1
18	124-7114-14	Top Motor Adaptor	1
19	124-7115-14	Motor Housing Gasket	2
20	124-7116-10	Motor 120 Volt	1
21	124-7117-14	Foam	1
22	124-7118-14	Can Cap	1
23	124-7119-14	Gasket Can Cap	1



TOOL KIT

Part No.	Description	Qty.
122-3020-14-1	5' Two-piece Wand	1
122-3010-14	10' Crushproof Hose w/ Ends	1
122-3030-14	2" Dusting Brush	1
122-3060-14	17" Crevice Tool	1
122-3040-14-1	Floor Brush Tool	1

TANK ASSEMBLY

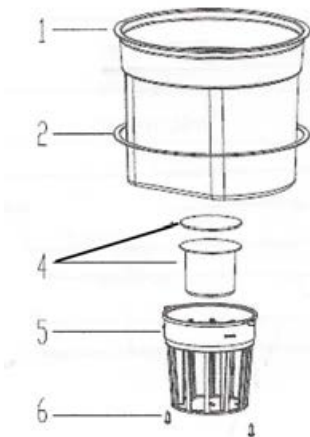


Ref.	Part No.	Description	Qty.
1	124-7141-14-1	20 Gallon Tank	1
2	124-7144-14	Clamp	2
3	124-7146-14-1	Stainless Steel Screw	4
4	124-7147-14	Hose Inlet w/Gasket	1
5	124-7148-14	Wheel Retainer	2
6	124-7149-14	Wheel Screw	2
7	124-7150-14	Wheel	2
8	124-7151-14	Wheel Bearing	2
9	124-7152-14	Axle	1
10	124-7153-14	Axle Mounting Screw	2
11	124-7154-14	Washer	2
12	124-7155-14	Caster Mounting Bolt	2
13	124-7156-14	Caster Complete	2
14	124-7157-14	Drain Hose Assembly	1
15	124-7161-14	Nut M5	2
16	124-7162-14-1	Washer 10	2
17	124-7163-14-1	Spring Washer 10	2
18	124-7168-14	Stainless Steel Spring	2



HEPA FILTER ASSEMBLY

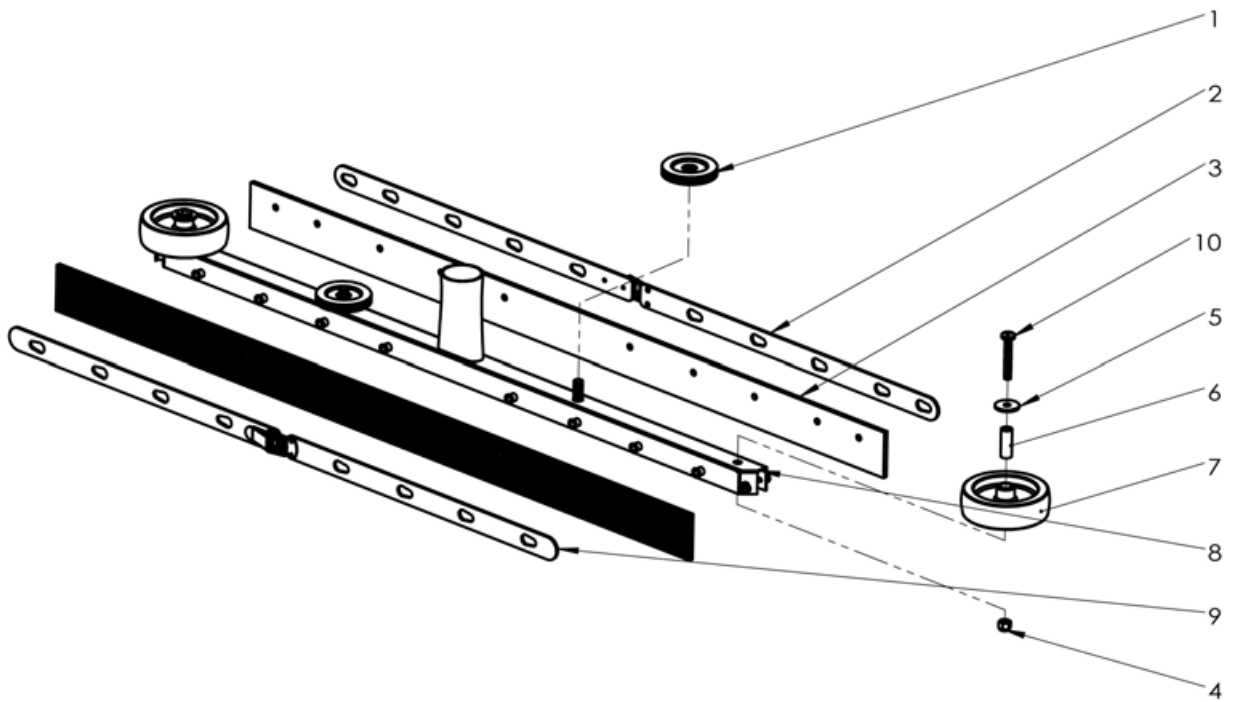
Ref.	Part No.	Description	Qty.
1	127-3305-14	HEPA Filter Assembly	1
2	128-7502-14	Air Seal Gasket (only)	1
3	128-7504-14	Polyester Prefilter	1
4	128-7503-14	Spacer Sleeve	1
5	122-3222-14	Dacron Filter Bag	1



WET SHUTOFF

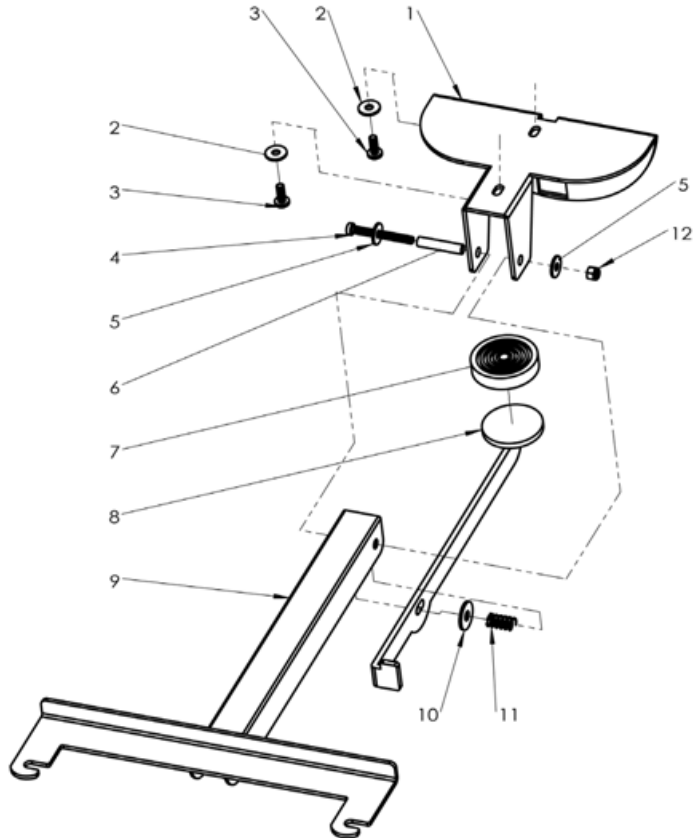
Ref.	Part No.	Description	Qty.
1	128-7506-14	Housing	1
2	128-7507-14	Ring	1
4	128-7509-14	Float & Gasket	1
5	128-7510-14	Cup	1
6	128-7511-14	Inserts	2
7	128-7505-14	Complete	1

SQUEEGEE TOOL



Ref.	Part No.	Description	Qty.
1	124-7222-14	Hand Screw	2
2	124-7223-14	Bracket	1
3	124-7224-14	Squeegee Blade	2
4	124-7225-14	Nut	10
5	124-7226-14	Washer	2
6	124-7227-14	Sleeve	2
7	124-7228-14	Bumper Wheel	2
8	124-7229-14	Bracket	1
9	124-7230-14	Bracket	1
10	124-7231-14	Bolt	1

SQUEEGEE TOOL



Ref.	Part No.	Description	Qty.
1	124-7210-14	Plate	1
2	124-7211-14	Washer	2
3	124-7212-14	Bolt	2
4	124-7213-14	Bolt	1
5	124-7214-14	Washer	2
6	124-7215-14	Sleeve	1
7	124-7216-14	Foot Pad	1
8	124-7217-14	Foot Pedal	1
9	124-7218-14	Squeegee Holder	1
10	124-7219-14	Washer	1
11	124-7220-14	Spring	1
12	124-7221-14	Nut	1

IMPORTANT SAFETY INSTRUCTIONS

When using an electrical vacuum, basic safety precautions should always be followed, including the following:

READ ALL INSTRUCTIONS BEFORE USING YOUR VACUUM CLEANER

WARNING: To reduce the risk of fire, electrical shock, or injury:

1. Do not leave appliance when plugged in. Unplug from outlet when not in use and before servicing.
2. Do not expose to rain. Store indoors.
3. Do not allow to be used as a toy. Close attention is necessary when used by or near children.
4. Use only as described in this manual. Use only manufacturer's recommended attachments.
5. Do not use with damaged cord or plug. If appliance is not working as it should, has been dropped, damaged, left outdoors, or dropped into water, contact Customer Service.
6. Do not pull or carry by cord, use as a handle, close a door on cord, or pull cord around sharp edges or corners. Do not run appliances over cord. Keep cord away from heated surfaces.
7. Do not unplug by pulling on cord. To unplug, grasp the plug, not the cord.
8. Do not handle plug or appliance with wet hands.
9. Do not put any object into openings. Do not use with any opening blocked; keep free of dust, lint, hair and anything that may reduce air flow.
10. Keep hair, loose clothing, fingers and all parts of the body away from openings and moving parts.
11. Do not pick up anything that is burning or smoking, such as cigarettes, matches, or hot ashes.
12. Do not use without dust bag and/or filters in place.
13. Turn off all controls before unplugging.
14. Use extra care when cleaning on stairs.
15. Do not use to pick up flammable or combustible liquids such as gasoline, or use in areas where they may be present.
16. This vacuum is for commercial use only.
17. Connect to a properly grounded outlet only. See grounding instructions.

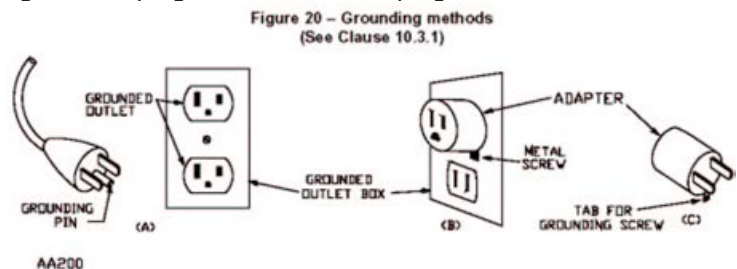
SAVE THESE INSTRUCTIONS

GROUNDING INSTRUCTIONS - This appliance must be grounded. If it should malfunction or breakdown, grounding provides a path of least resistance for electric current to reduce the risk of electric shock. This appliance is equipped with a cord having equipment grounding conductor and grounding plug. The plug must be inserted into an appropriate outlet that is properly installed and grounded in accordance with all local codes and ordinances.

WARNING: Improper connection of the equipment grounding conductor can result in a risk of electric shock. Check with a qualified electrician or service person if you are in doubt as to whether the outlet is properly grounded.

Do not modify the plug provided with the appliance - if it will not fit the outlet, have a proper outlet installed by a qualified electrician.

This appliance is for use on a nominal 120 - Volt circuit, and has a grounded plug that looks like the plug illustrated in sketch A below. A temporary adapter that looks like the adapter illustrated in sketches B and C may be used to connect this plug to a 2-pole receptacle as shown in sketch B if a properly grounded receptacle is not available. The temporary adapter should be used only until a properly grounded outlet (sketch A) can be installed by a qualified electrician. The green colored ear, lug, or the like extending from the adapter must be connected to a permanent ground such as a properly grounded outlet box cover. Whenever the adapter is used, it must be held in place by a metal screw.



NOTE: In Canada, the use of a temporary adapter is not permitted by the Canadian Electrical Code.

IMPORTANTES CONSIGNES DE SECURITE

L'utilisation d'un appareil électrique demande certaines précautions:

LIRE TOUTES LES INSTRUCTIONS AVANT DE FAIRE FONCTIONNER CET APPAREIL

AVERTISSEMENT: Pour réduire les risques d'incendie, de choc électrique ou de blessure:

1. Ne pas laisser l'appareil sans surveillance lorsqu'il est branché. De brancher lorsque l'appareil n'est pas utilisé et avant l'entretien.
2. Ne brancher qu'à une prise de courant avec mise à la terre. Voir les instructions visant la mise à la terre.
3. Ne pas permettre aux enfants de jouer avec l'appareil. Une attention particulière est nécessaire lorsque l'appareil est utilisé par des enfants ou à proximité de ces derniers.
4. N'utiliser que conformément à cette notice avec les accessoires recommandés par le fabricant.
5. Ne pas utiliser si le cordon ou la fiche est endommagé. Retourner l'appareil à un atelier de réparation s'il ne fonctionne pas bien, s'il est tombé ou s'il a été endommagé, oublié à l'extérieur ou immergé.
6. Ne pas tirer, soulever ou trainer l'appareil par le cordon. Ne pas utiliser le cordon comme une poignée, le coincer dans l'embrasure d'une porte ou l'appuyer contre des arêtes vives ou des coins. Ne pas faire rouler l'appareil sur le cordon. Garder le cordon à l'écart des surfaces chaudes.
7. Ne pas débrancher en tirant sur le cordon. Tirer plutôt la fiche.
8. Ne pas toucher la fiche ou l'appareil lorsque vos mains sont humides.
9. N'insérer aucun objet dans les ouvertures. Ne pas utiliser l'appareil lorsqu'une ouverture est bloquée. S'assurer que de la poussière, de la peluche, des cheveux ou d'autres matières ne réduisent pas le débit d'air.
10. Maintenir les cheveux, les vêtements amples, les doigts et toutes les parties du corps à l'écart des ouvertures et des pièces mobiles.
11. Ne pas aspirer de matières en combustion ou qui dégagent de la fumée, comme des cigarettes, des allumettes ou des cendres chaudes.
12. Ne pas utiliser l'appareil si le sac à poussière ou le filtre n'est pas en place.
13. Mettre toutes les commandes à la position ARRÊT avant de débrancher l'appareil.
14. User de prudence lors du nettoyage des escaliers.
15. Ne pas aspirer des liquides inflammables ou combustibles, comme de l'essence, et ne pas faire fonctionner dans des endroits où peuvent se trouver de tels liquides.
16. Avertissement- Pour réduire les risques de choc électrique, ne pas exposer à la pluie et garder l'aspirateur à l'intérieur.
17. Appareils mis à la terre: "Ne brancher qu'à une prise de courant avec mise à la terre. Voir les instructions visant la mise à la terre.

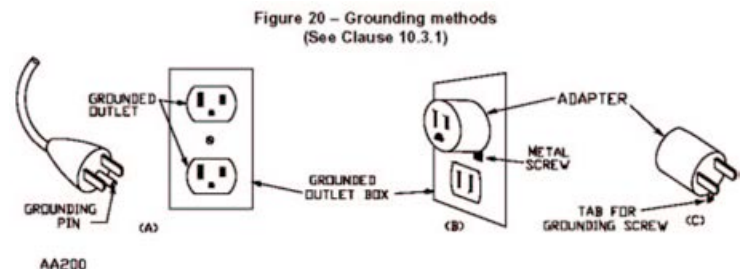
CONSERVER CES INSTRUCTIONS

INSTRUCTIONS VISANT LA MISE À LA TERRE - Cet appareil doit être mis à la terre. En cas de défaillance ou de panne éventuelles, la mise à la terre fournit au courant un chemin de moindre résistance qui réduit le risque de choc électrique. Cet appareil est pourvu d'un cordon muni d'un conducteur de terre et d'une fiche avec broche de terre. La fiche doit être branchée dans une prise appropriée correctement installée et mise à la terre conformément aux règlements et ordonnances municipaux.

AVERTISSEMENT: Un conducteur de terre mal raccordé peut entraîner un risque de choc électrique. Consulter un électricien ou un technicien d'entretien qualifié si vous n'êtes pas certain que la prise est correctement mise à la terre. Ne pas modifier la fiche fournie avec l'appareil - si elle ne peut être insérée dans la prise, faire installer une prise adéquate par un électricien qualifié.

Cet appareil est destiné à un circuit de 120 V et est muni d'une fiche de mise à la terre semblable à celle illustrée par le croquis A de la figure. S'assurer que l'appareil est branché à une prise de courant ayant la même configuration que la fiche. Aucun adaptateur ne devrait être utilisé avec cet appareil.

La mise à la terre selon les croquis B et C n'est pas permise au Canada.



7545 Irvine Center Dr., Ste. 200 • Irvine, CA 92618
Toll Free: 844 VACS R US or 844-822-7787 • Fax: 949-623-8305
SterlingNA.com